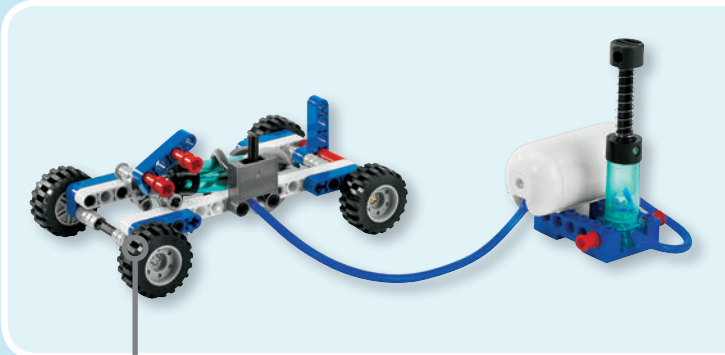
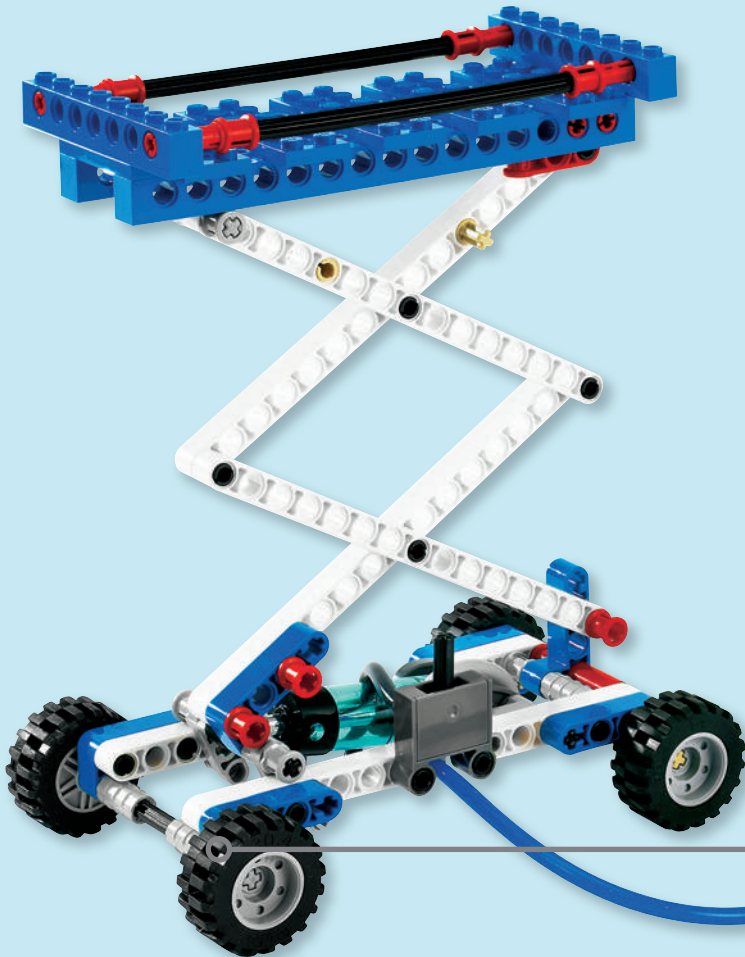
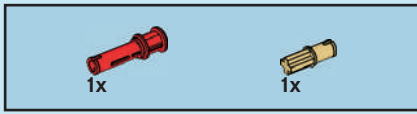
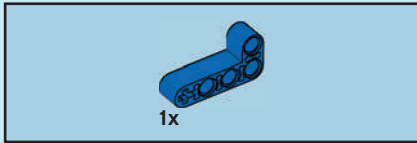
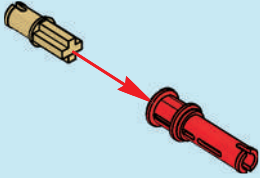


9641

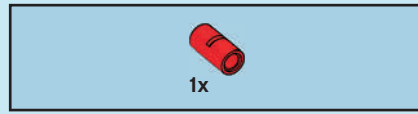
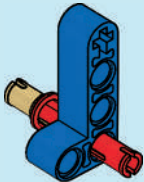




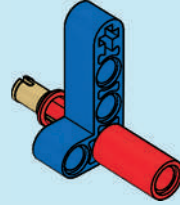
1



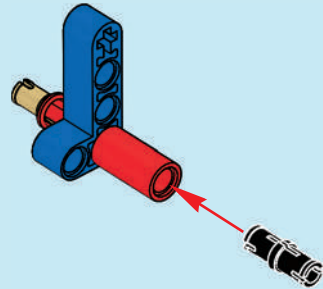
2

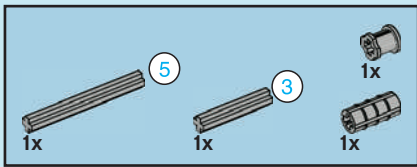


3

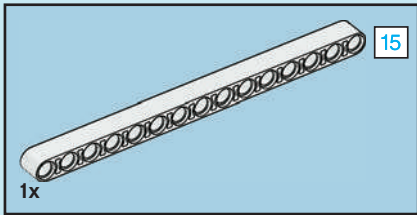
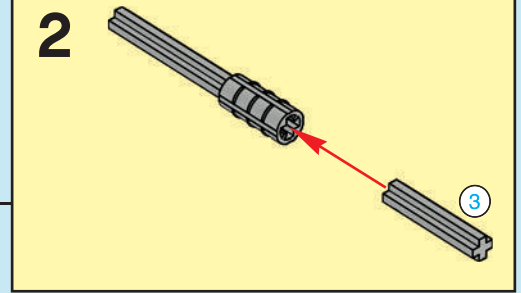
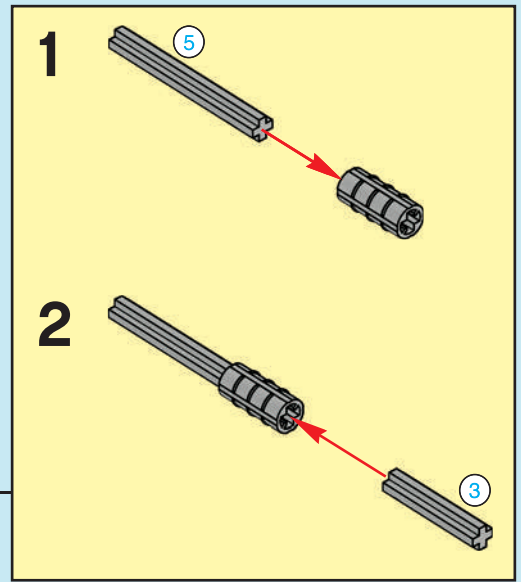
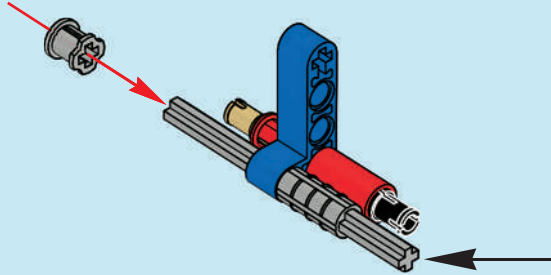


4

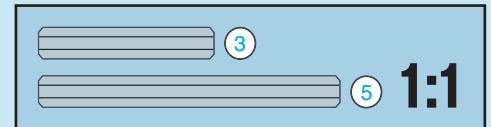
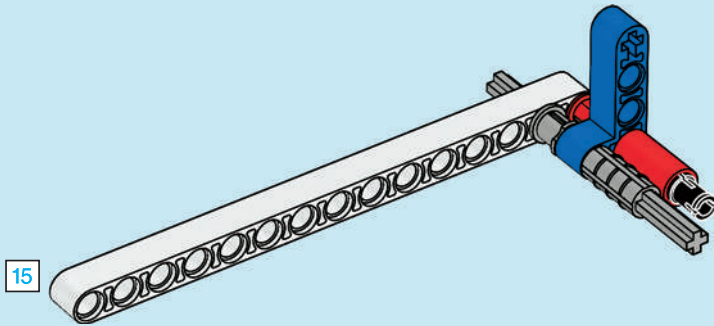




5

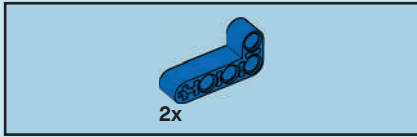
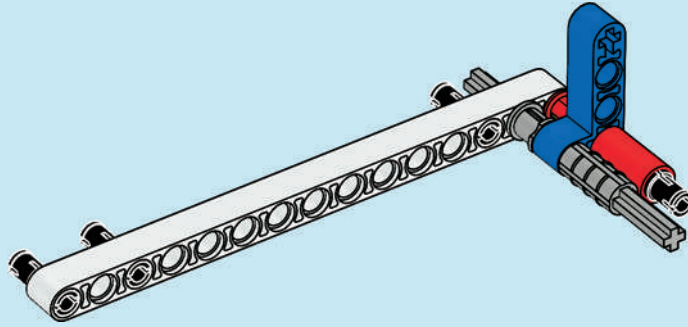


6

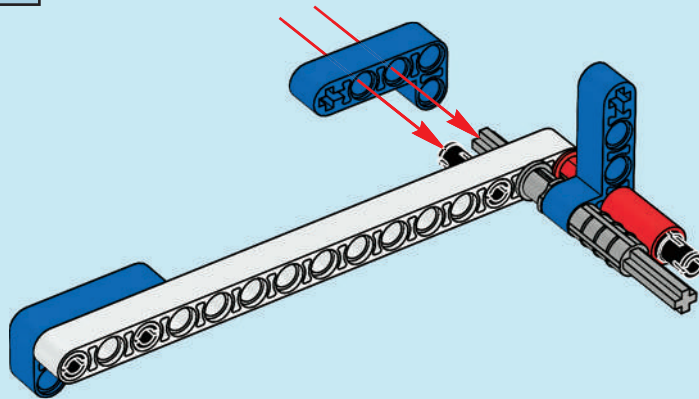




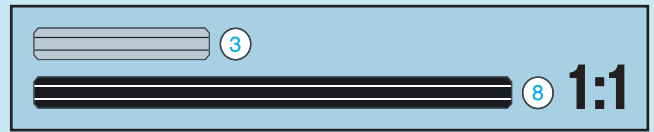
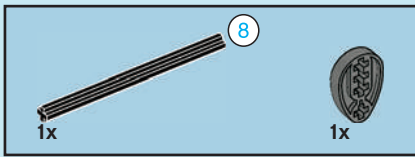
7



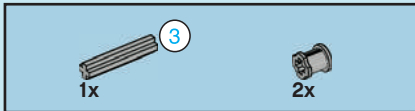
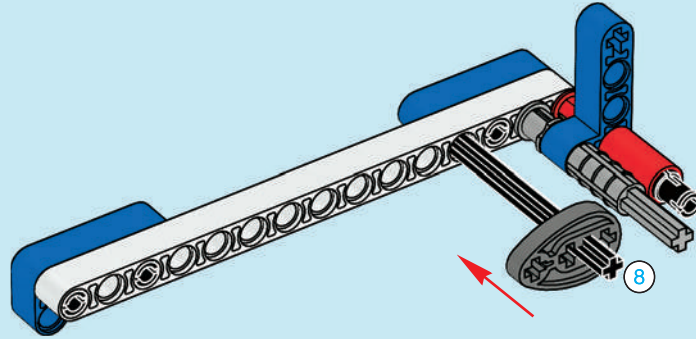
8



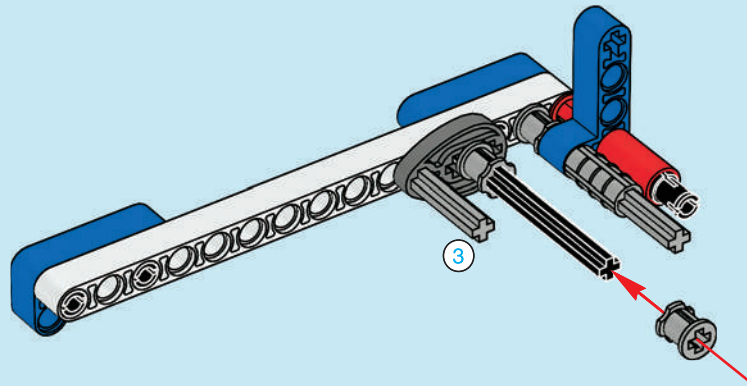


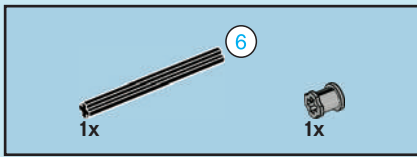


9

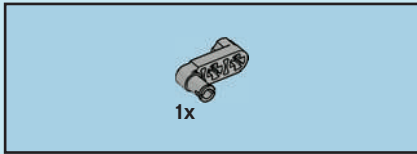
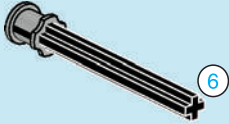


10

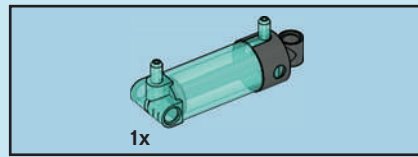
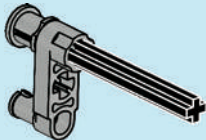




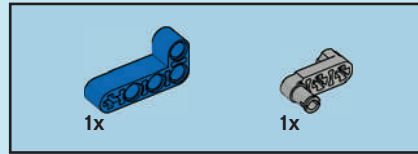
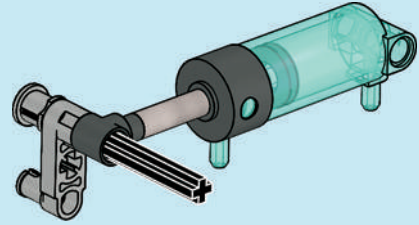
# 11



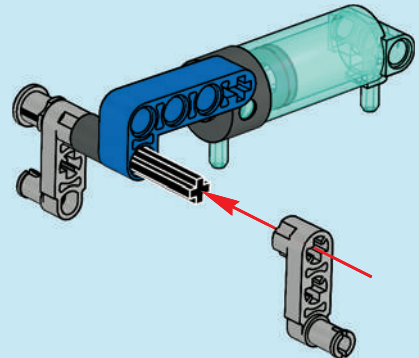
# 12

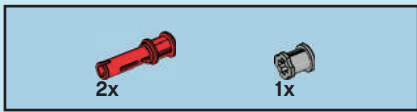


# 13

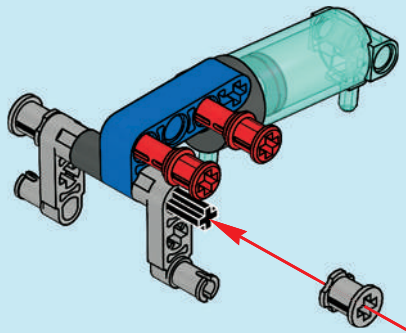


# 14

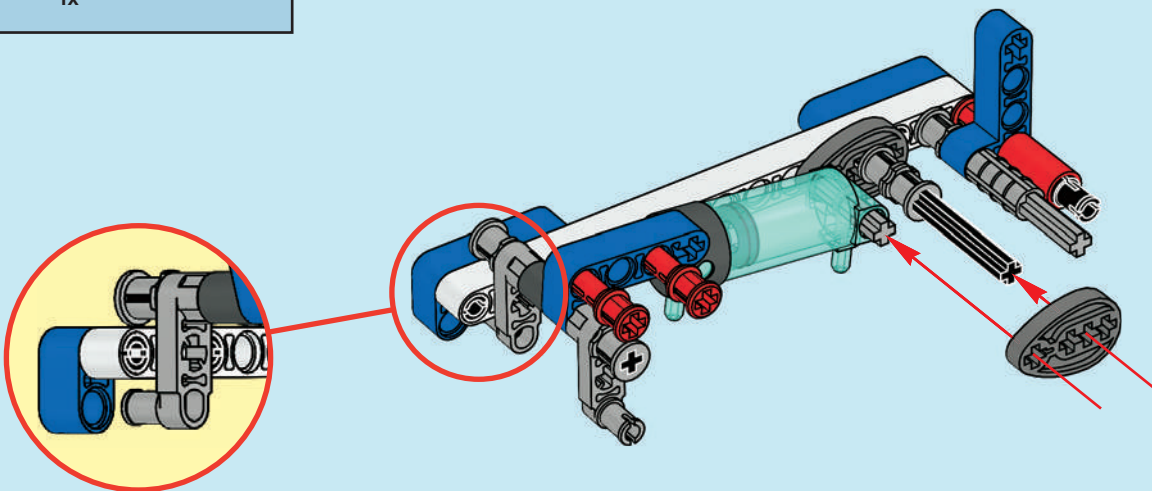


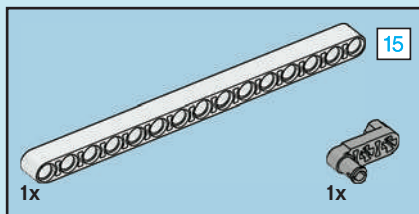


15

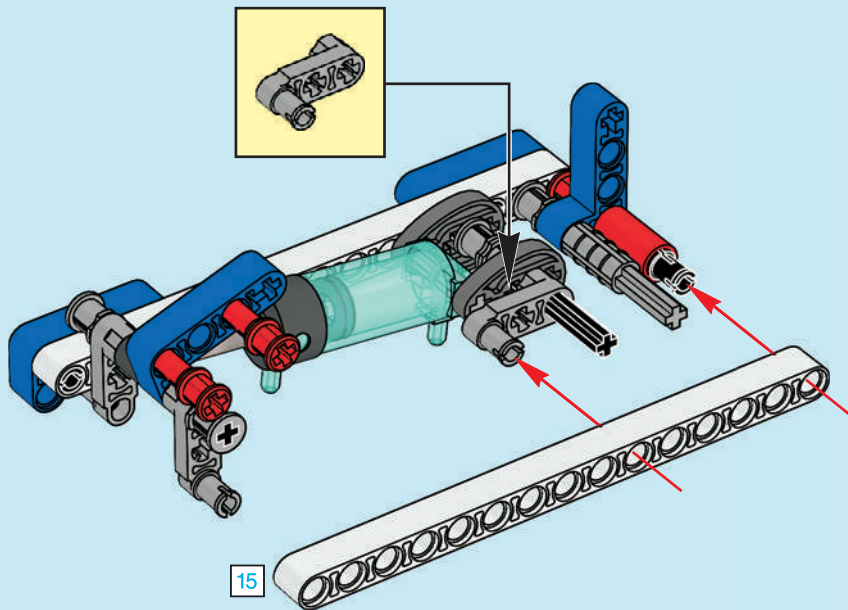


16

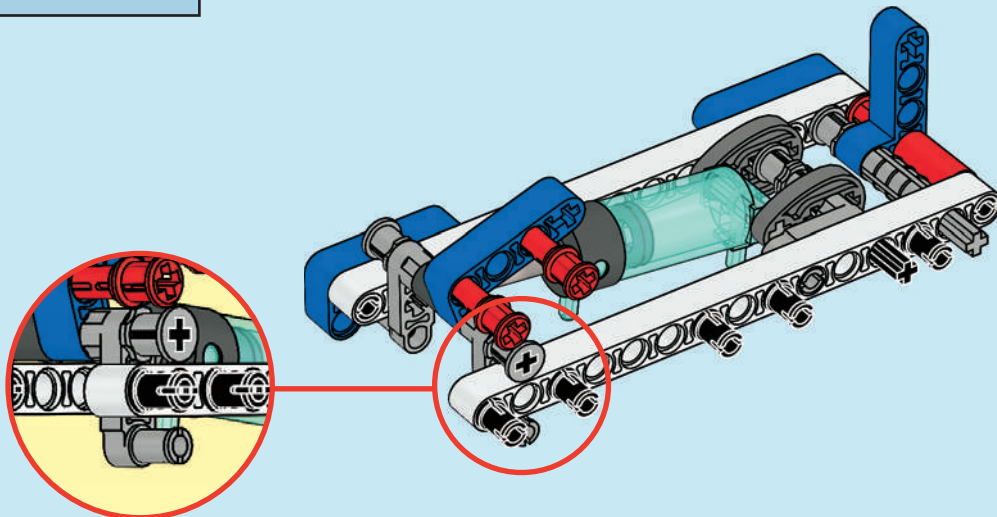


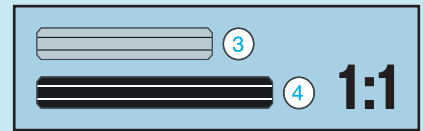
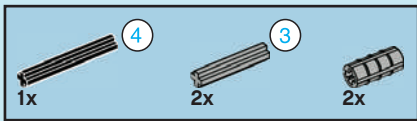


17

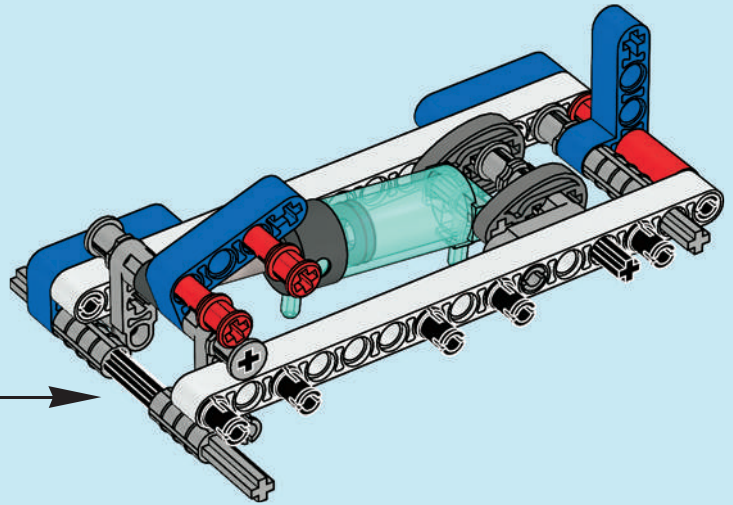
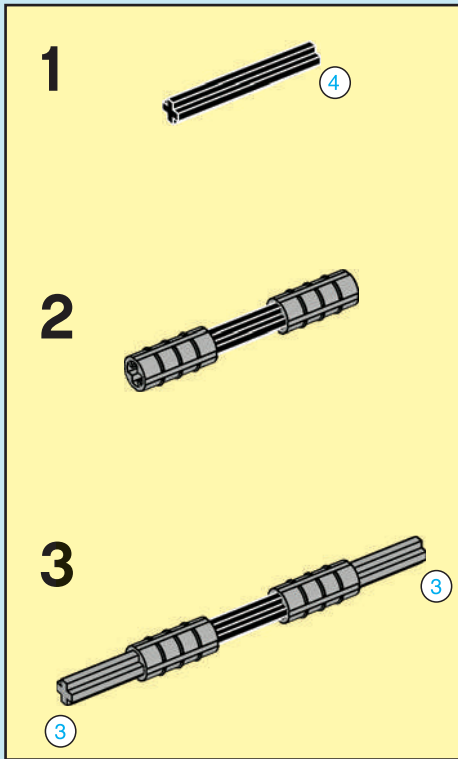


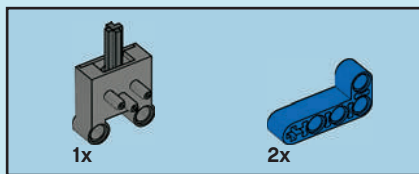
18



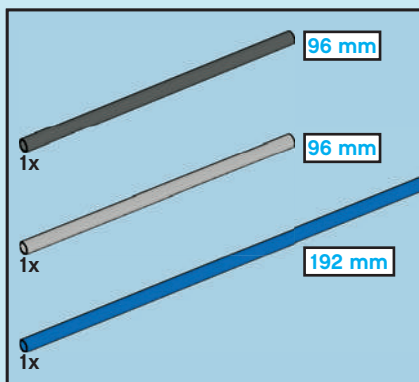
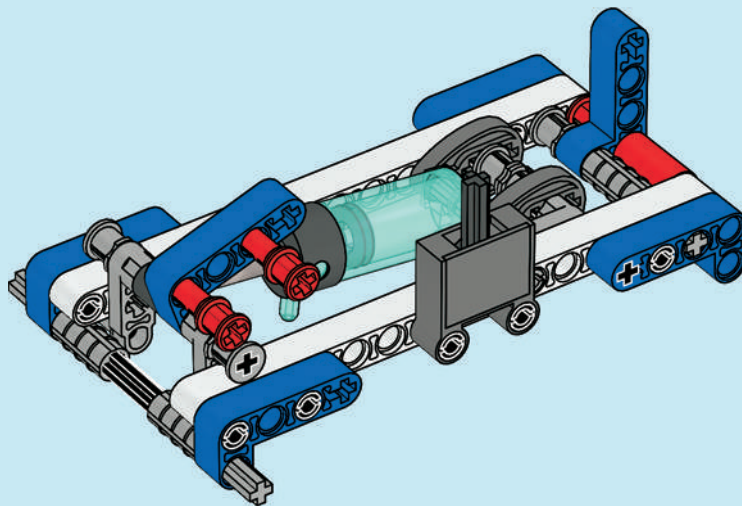


# 19

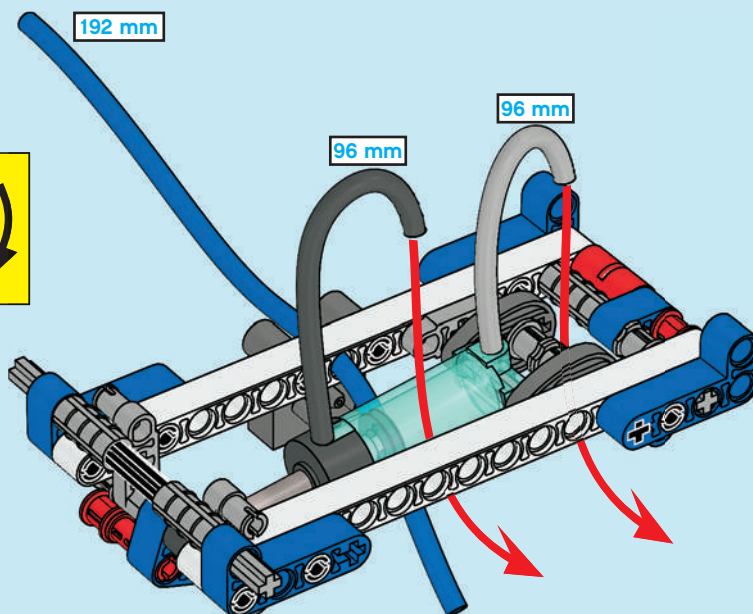
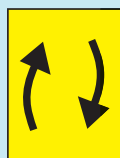




# 20

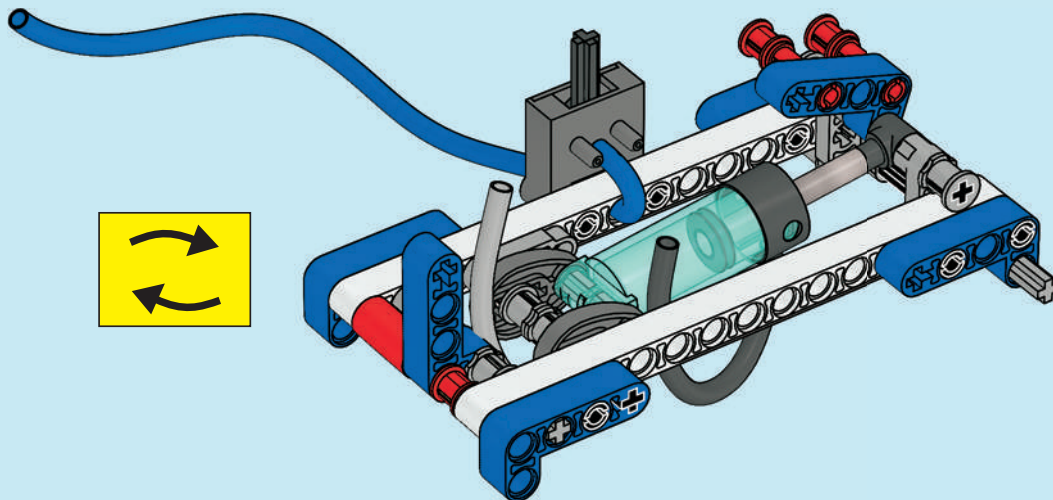


# 21

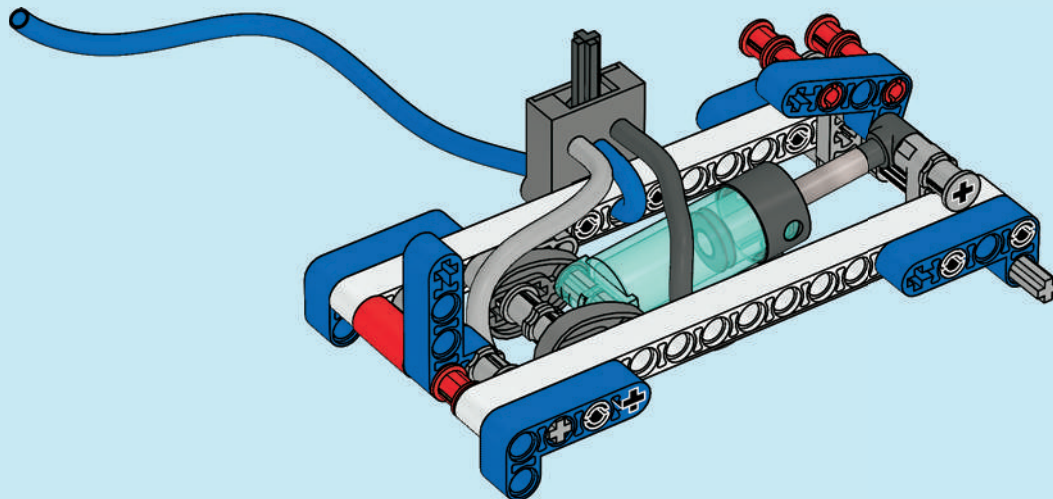




22



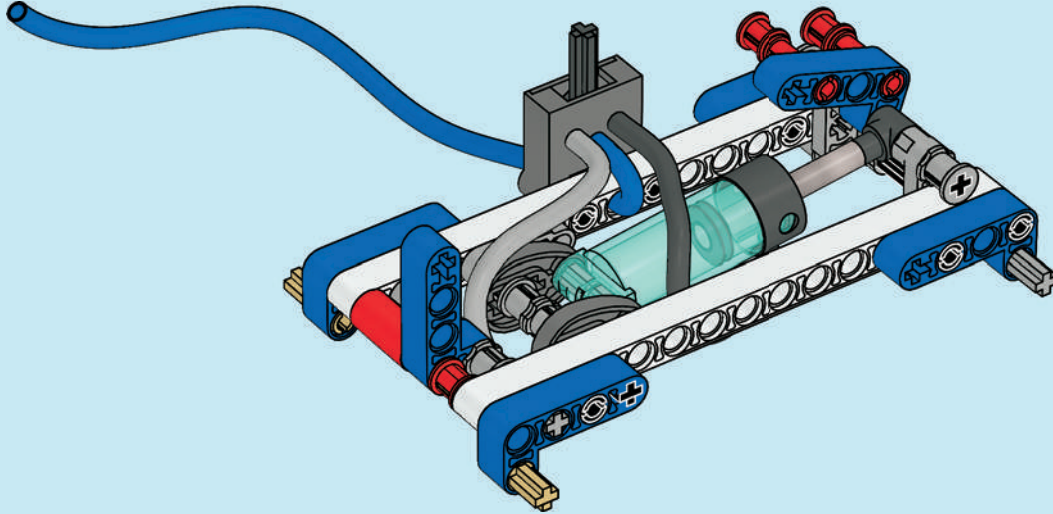
23



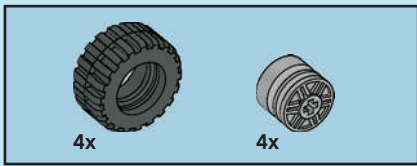


2x

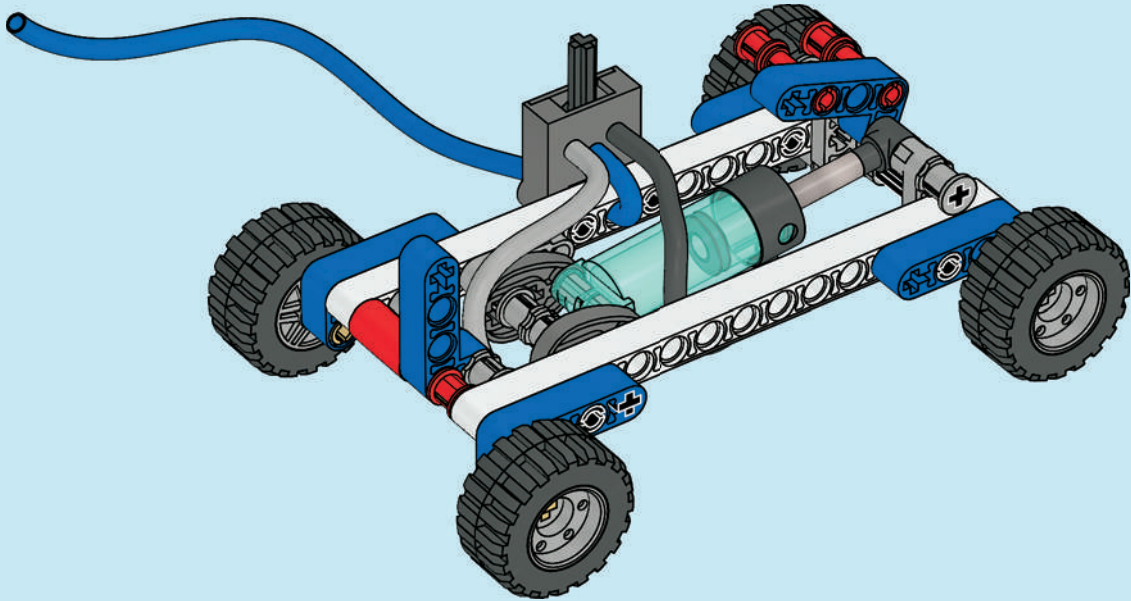
# 24

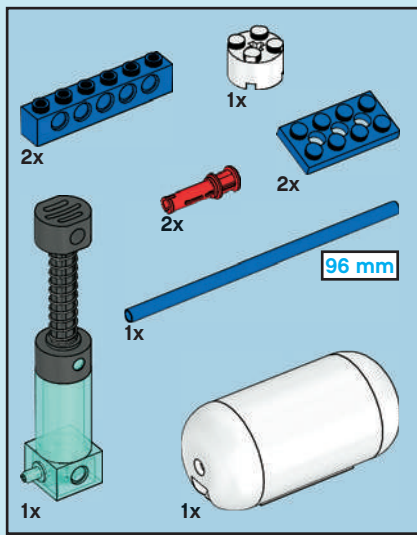






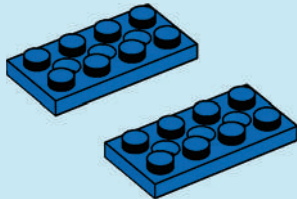
25



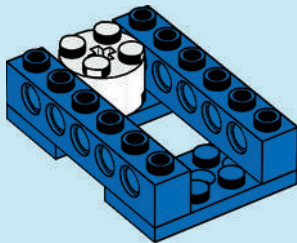


26

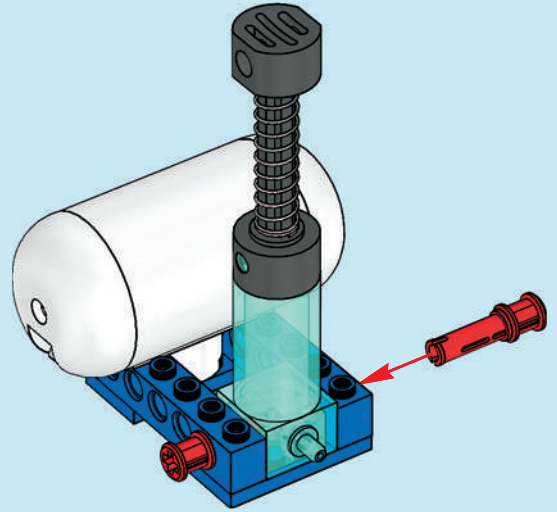
1



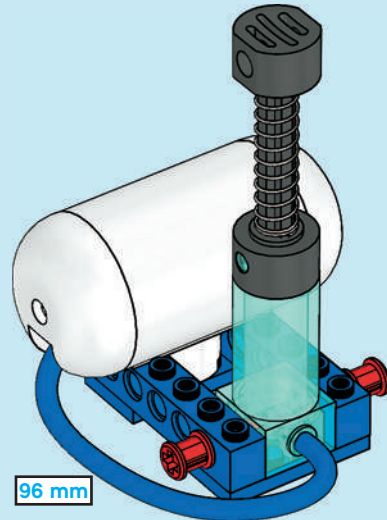
2



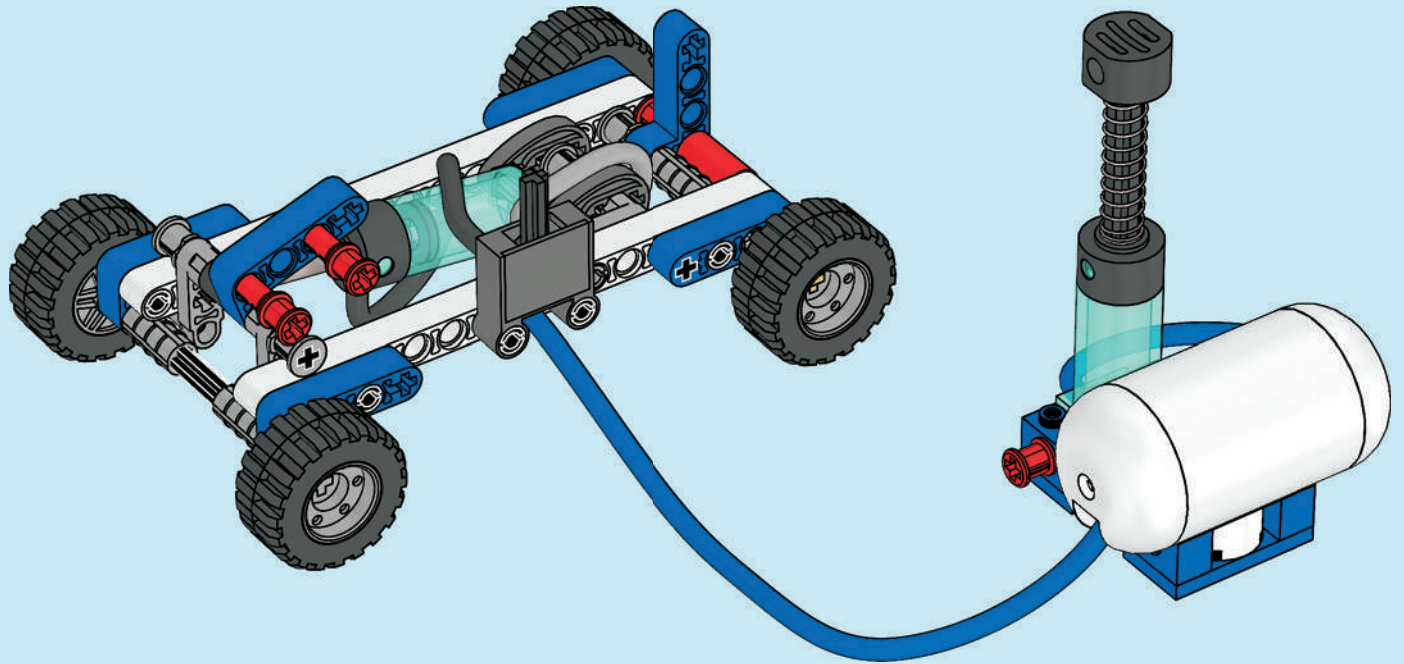
3



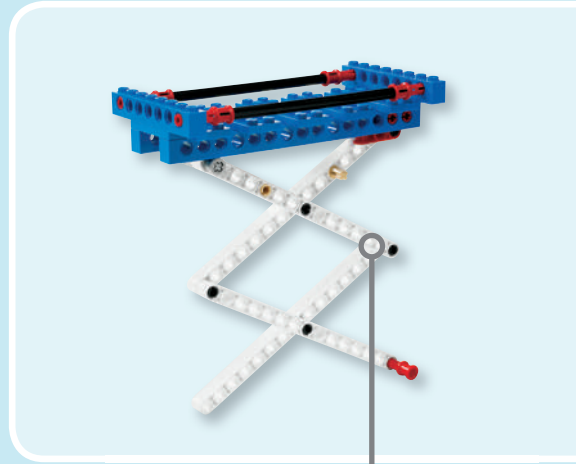
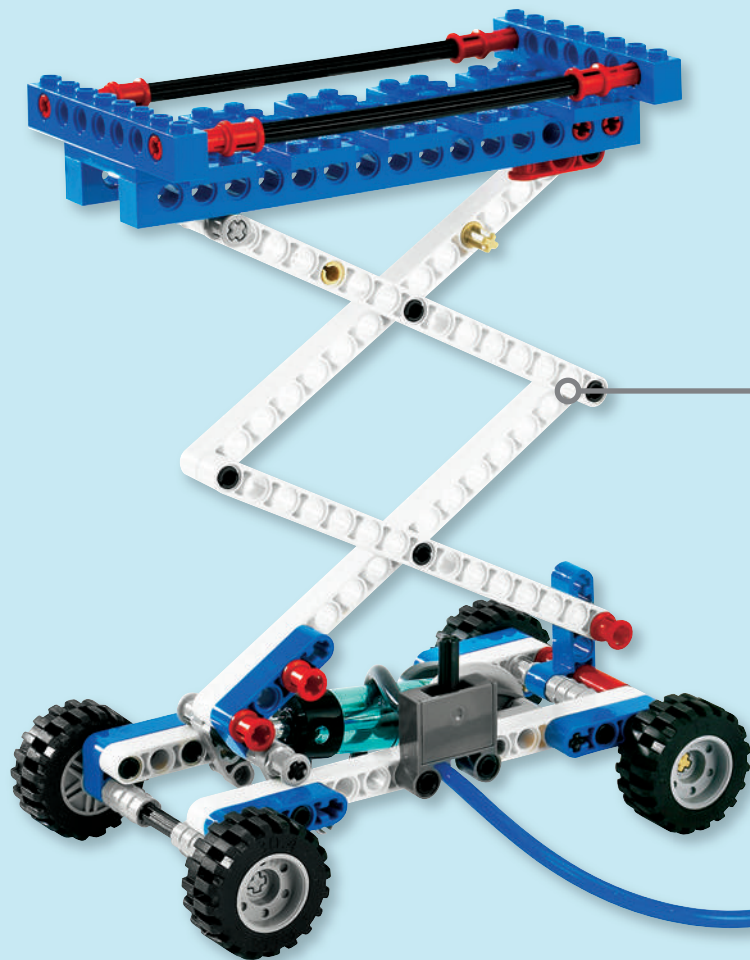
4



27

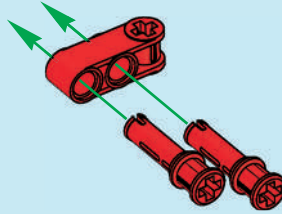




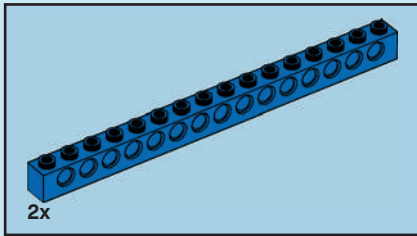
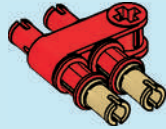




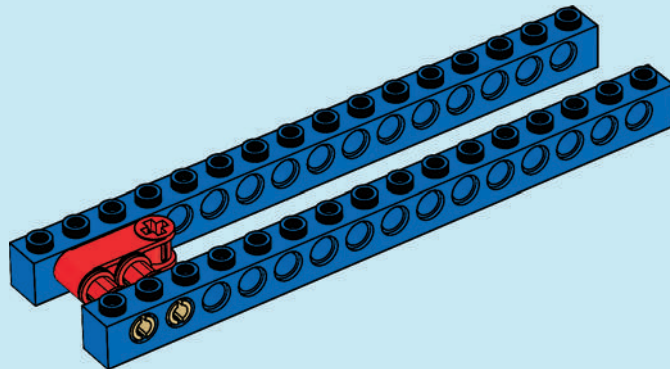
1

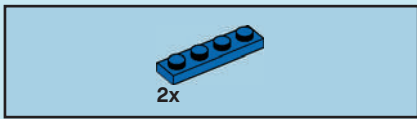


2

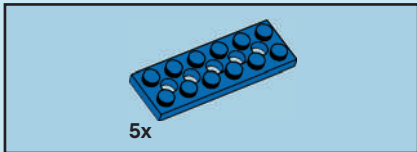
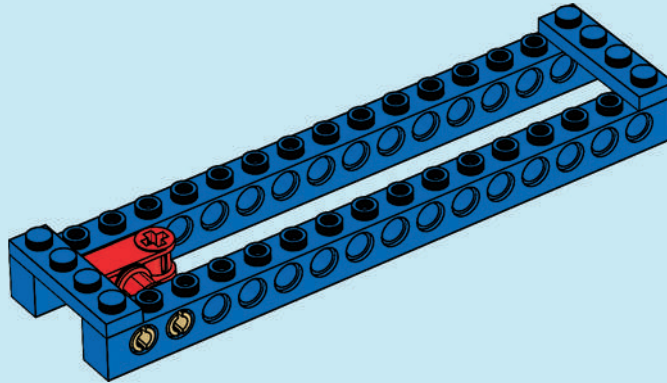


3

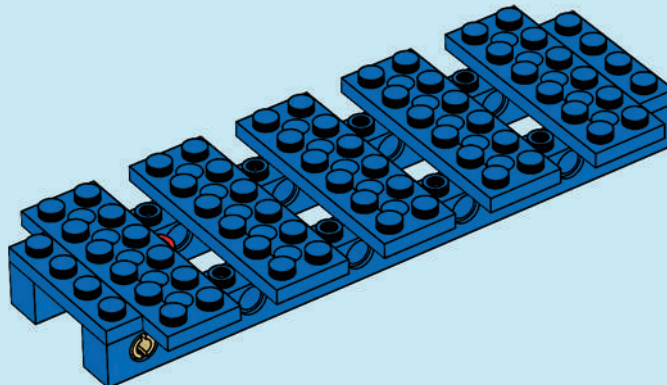




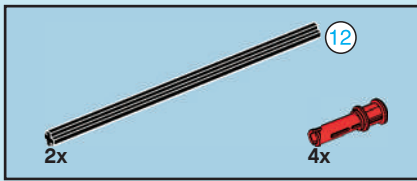
4



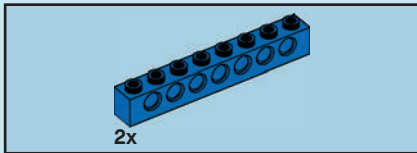
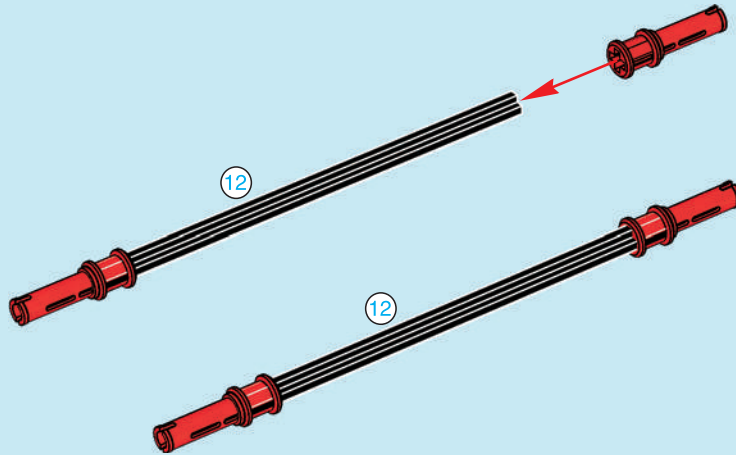
5



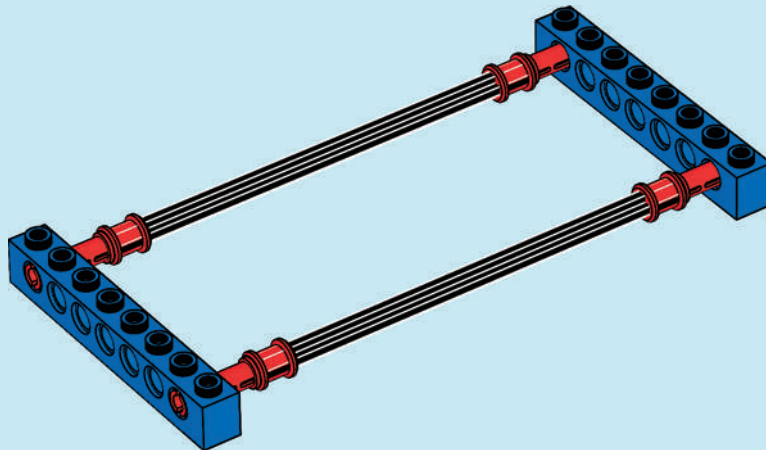




6

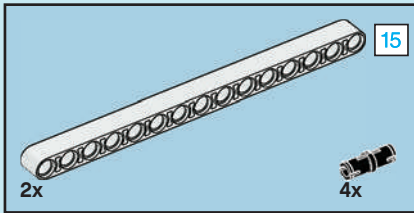
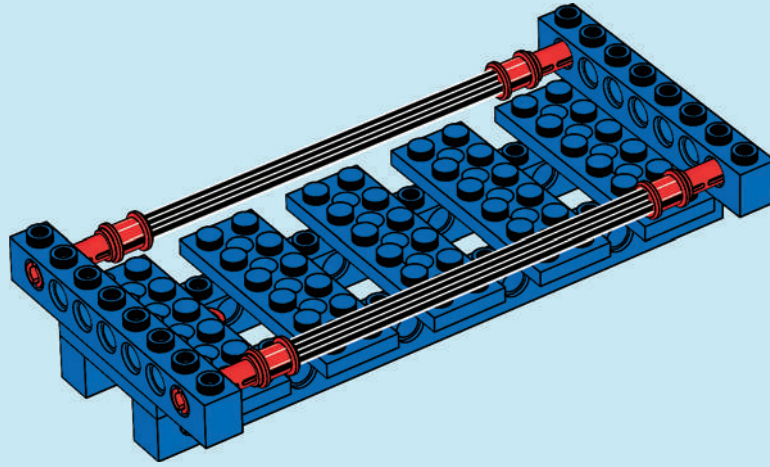


7

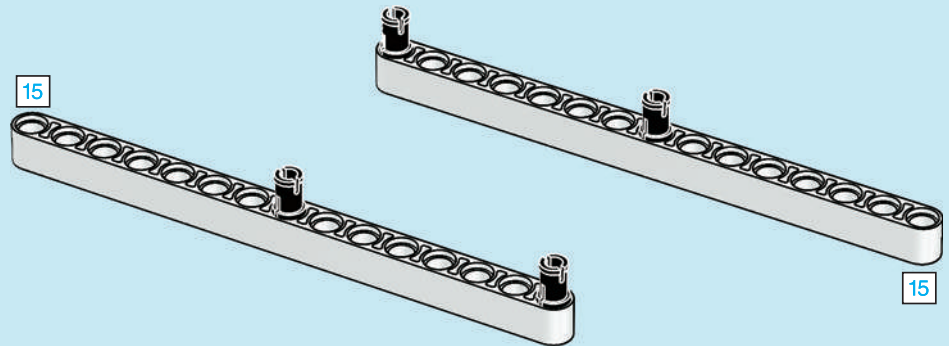


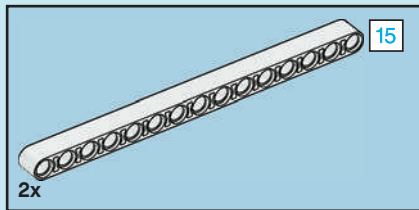


8

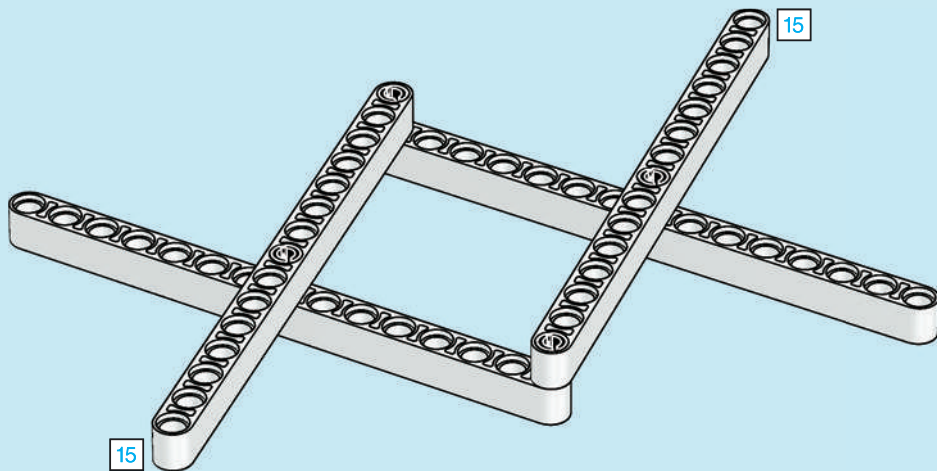
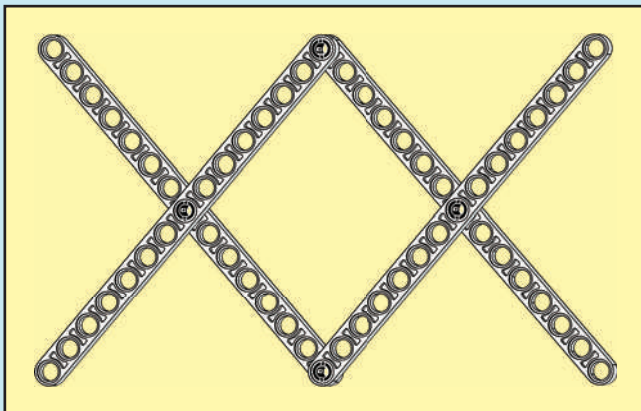


9



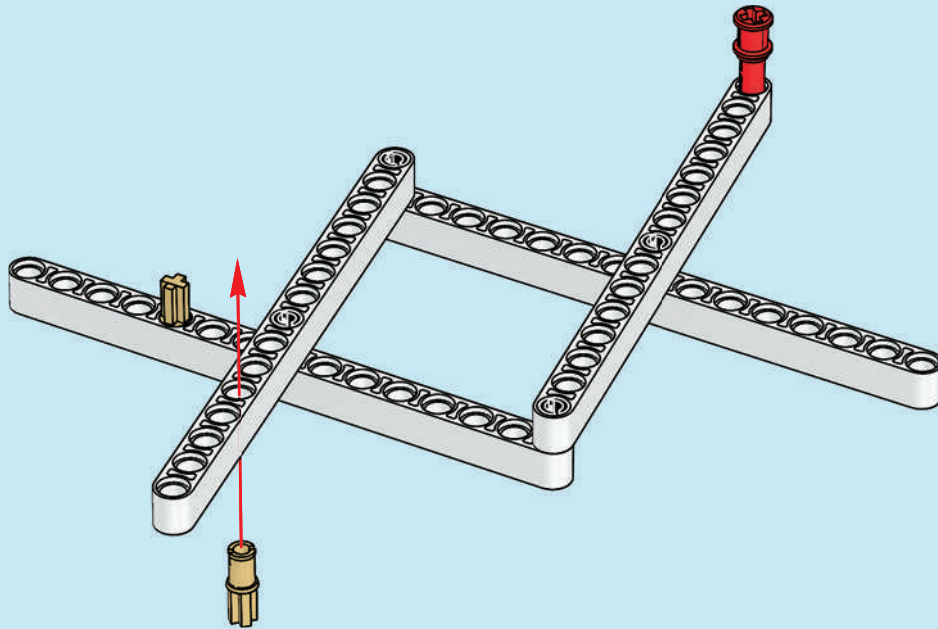


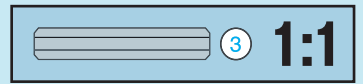
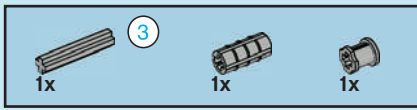
10



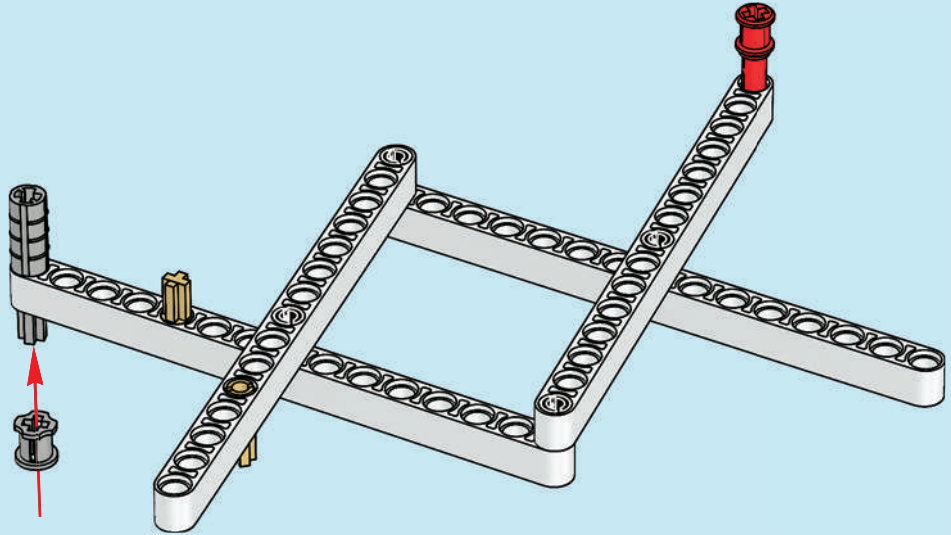
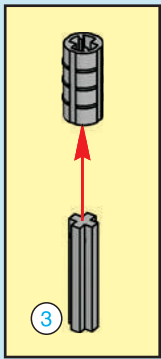


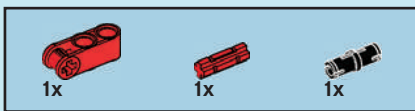
# 11



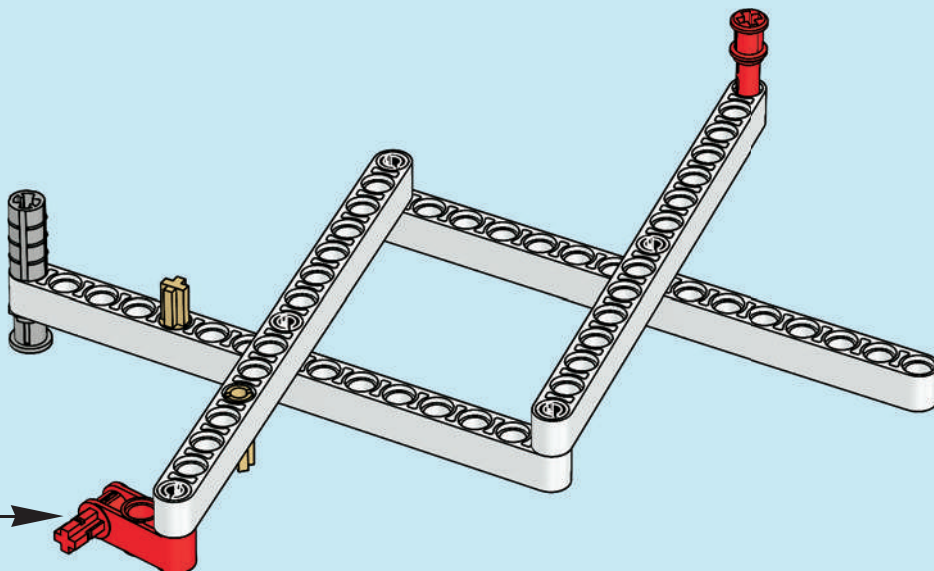
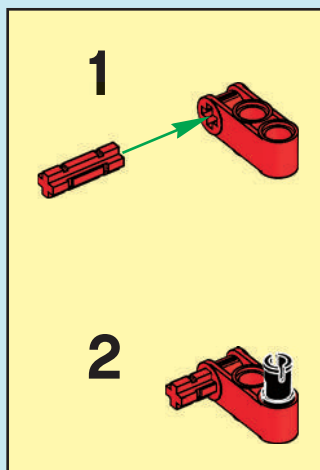


# 12

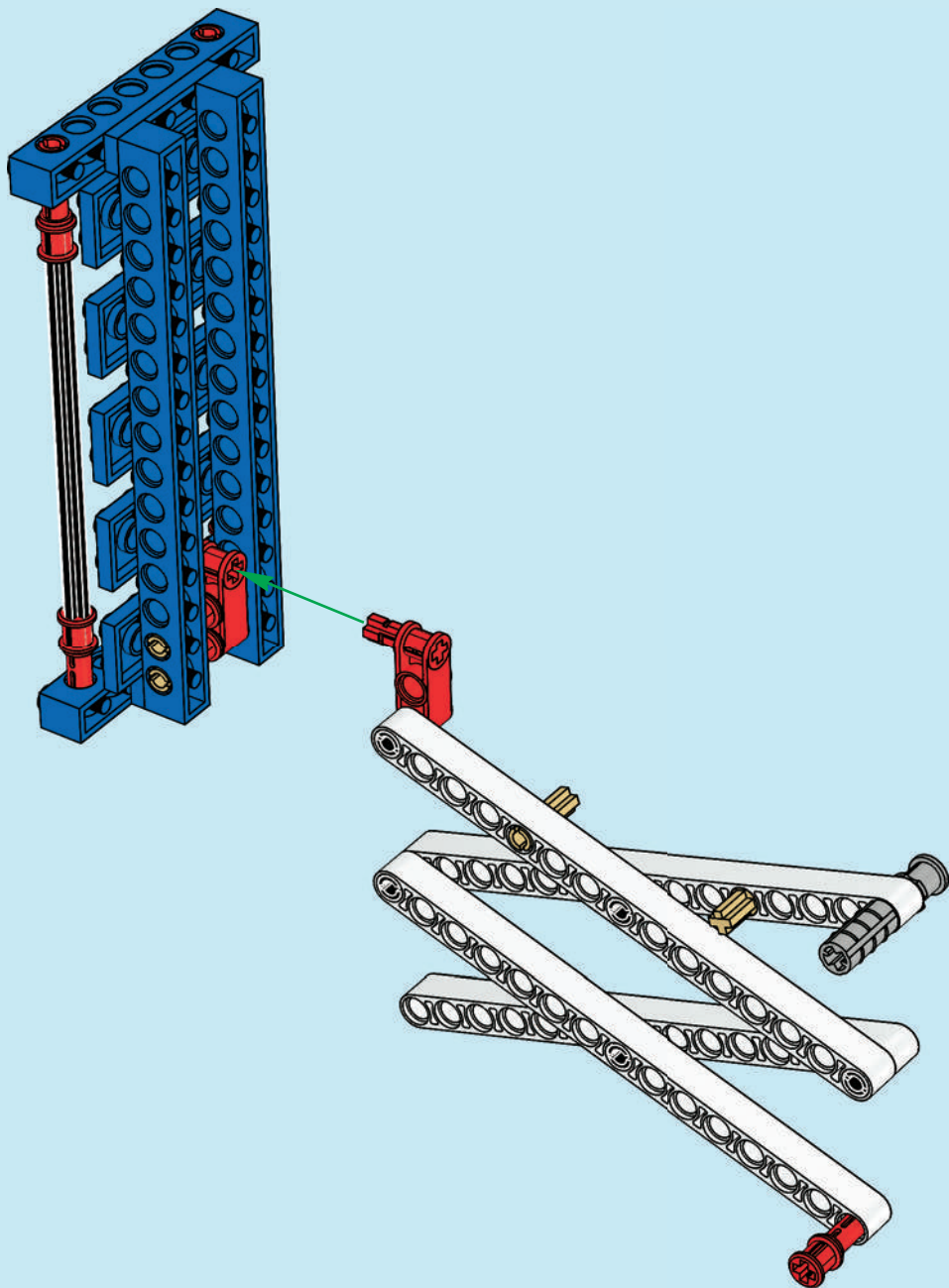




# 13

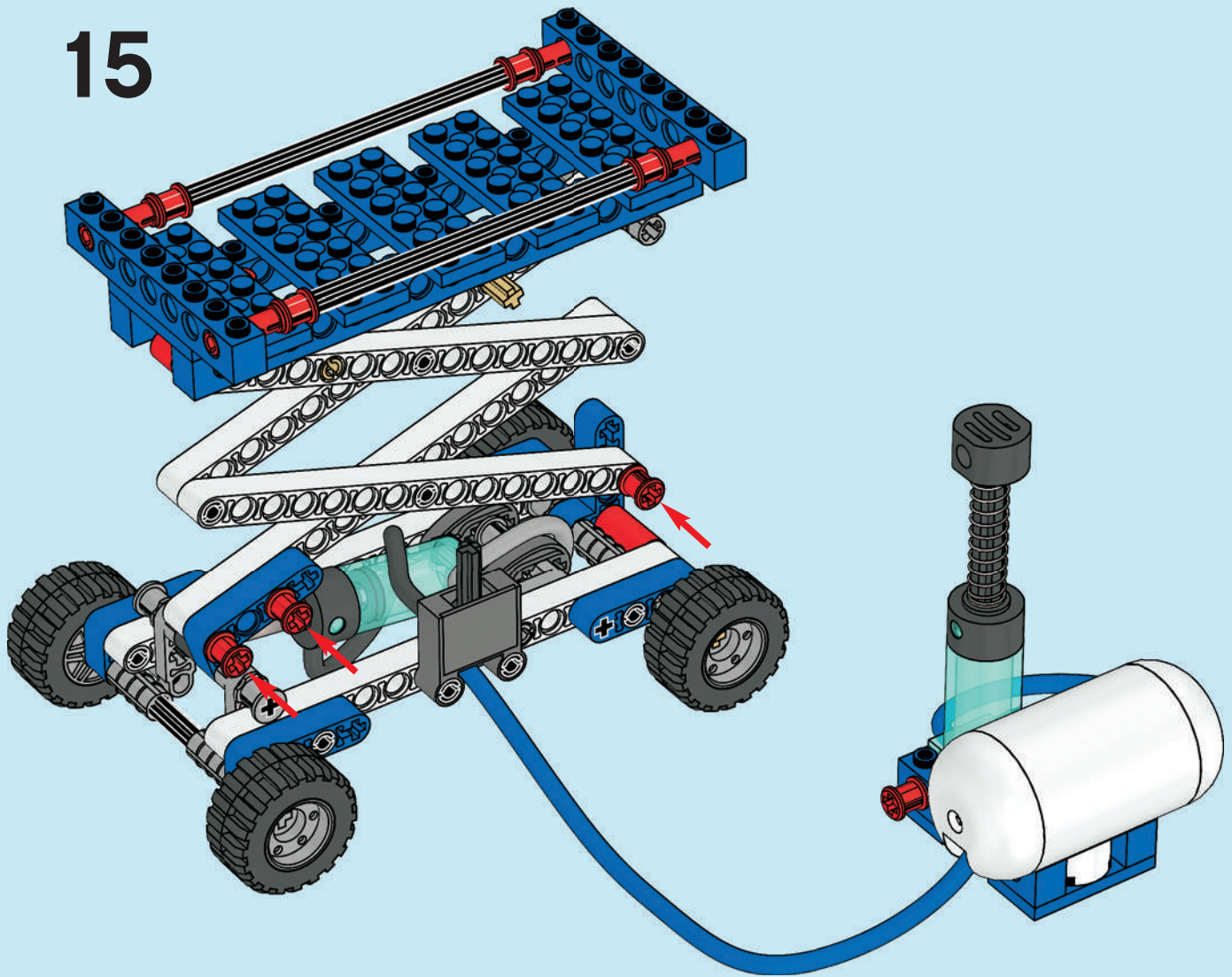


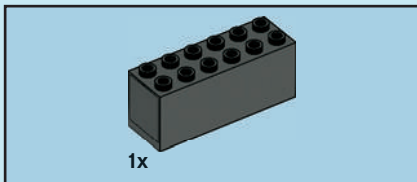
14



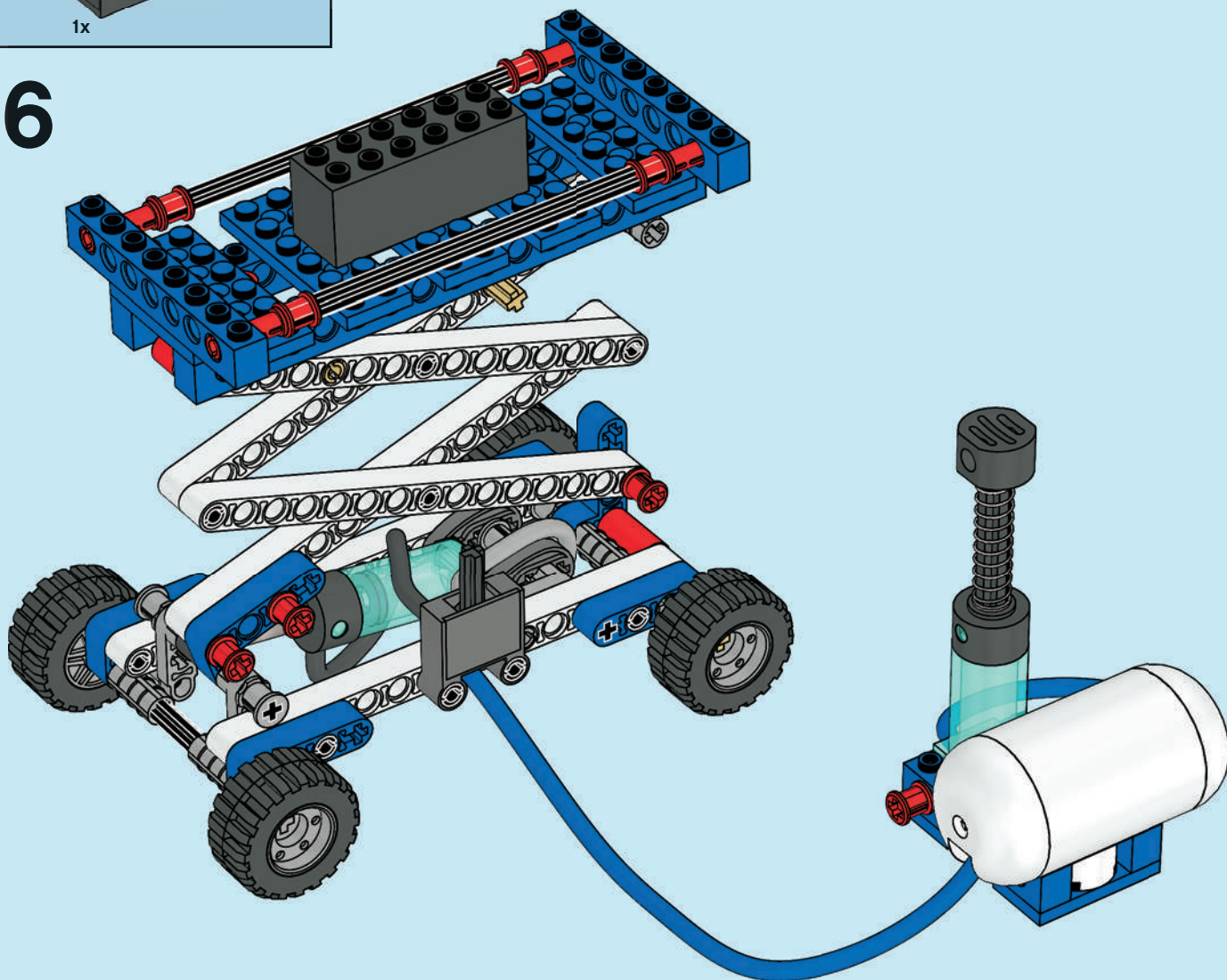


15

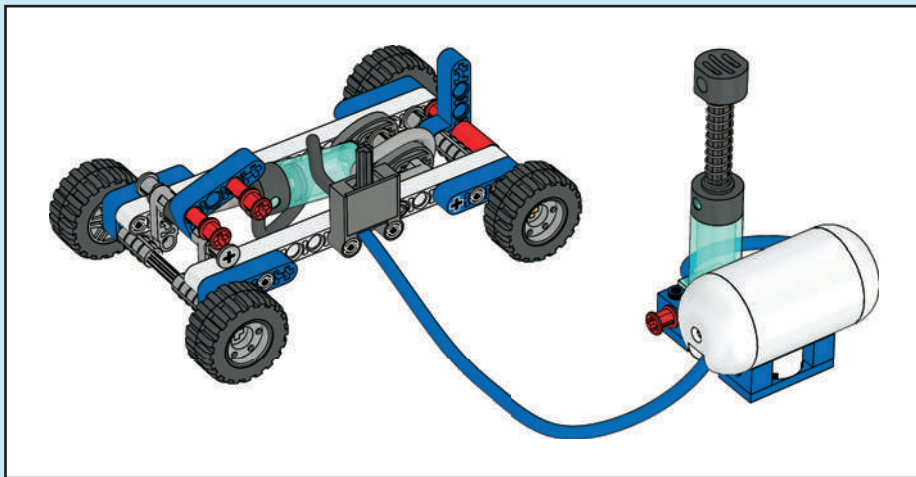
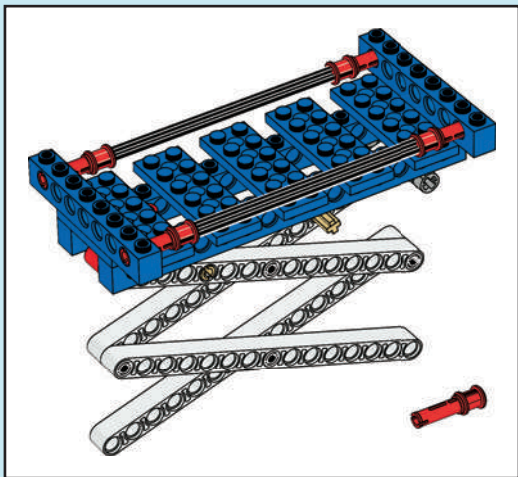




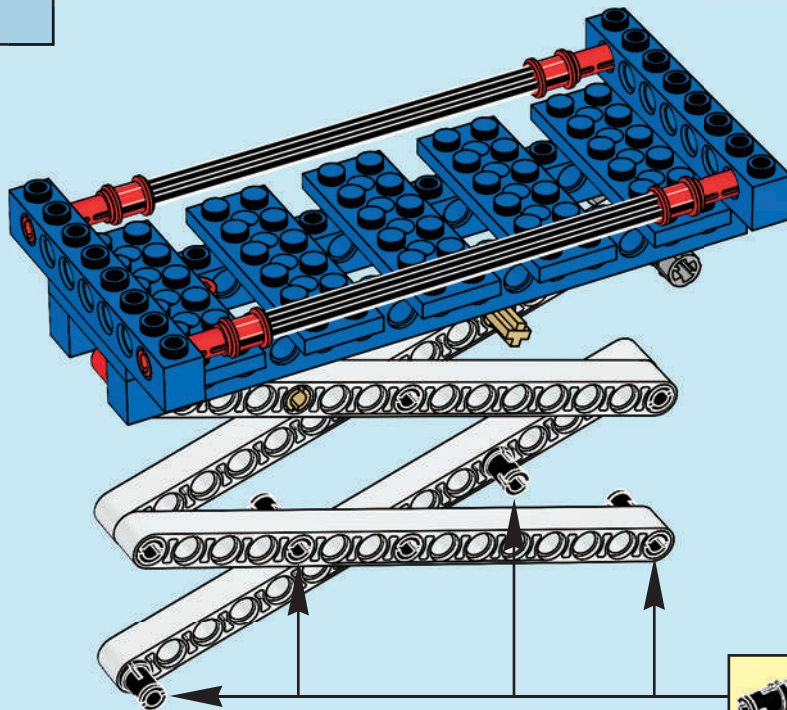
16

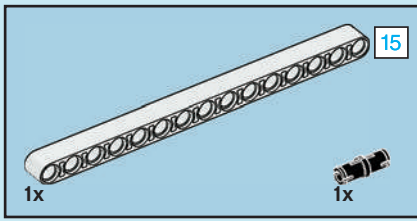




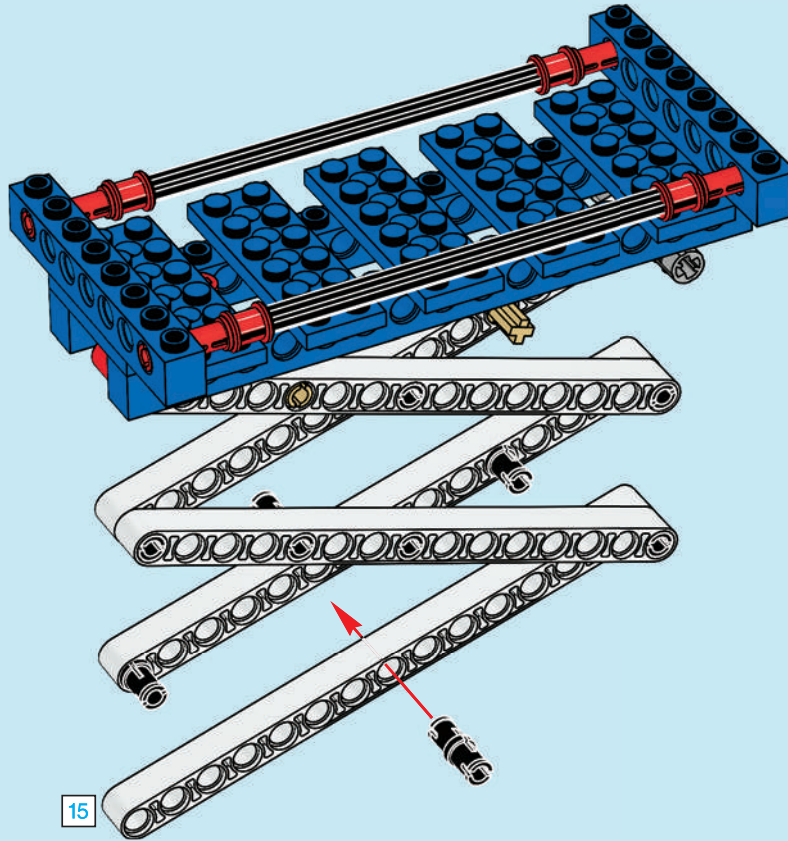


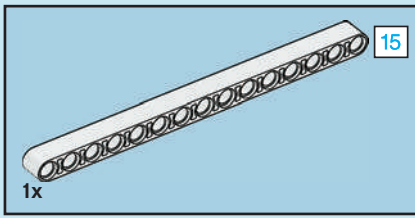
17



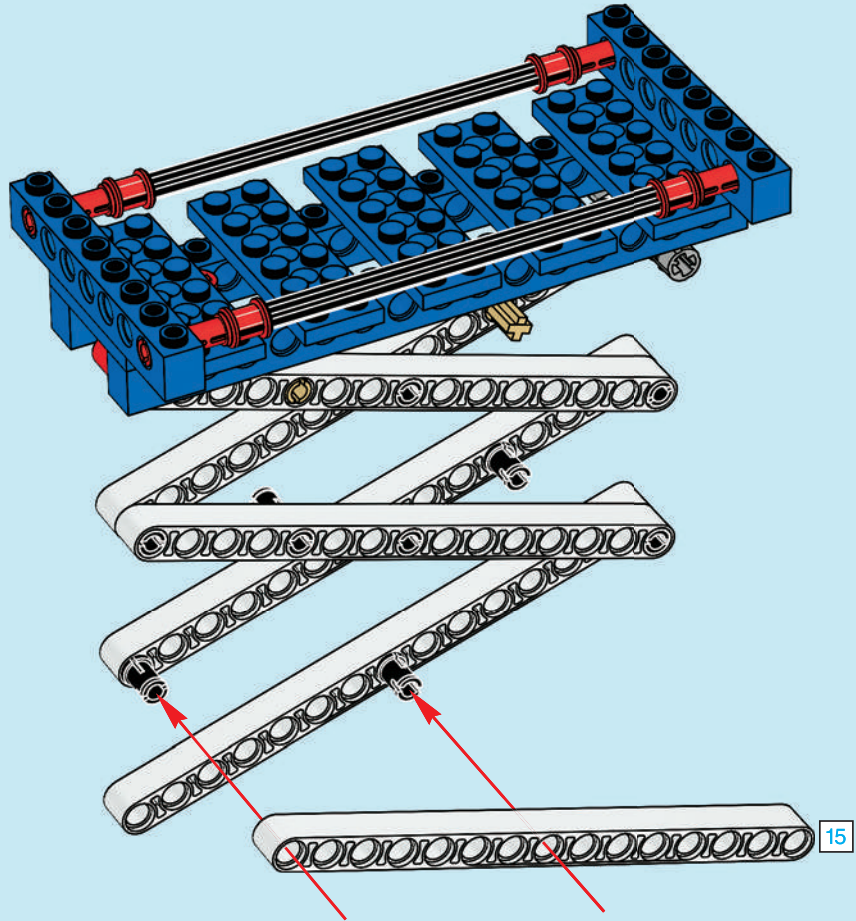


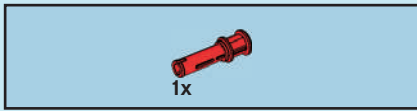
18



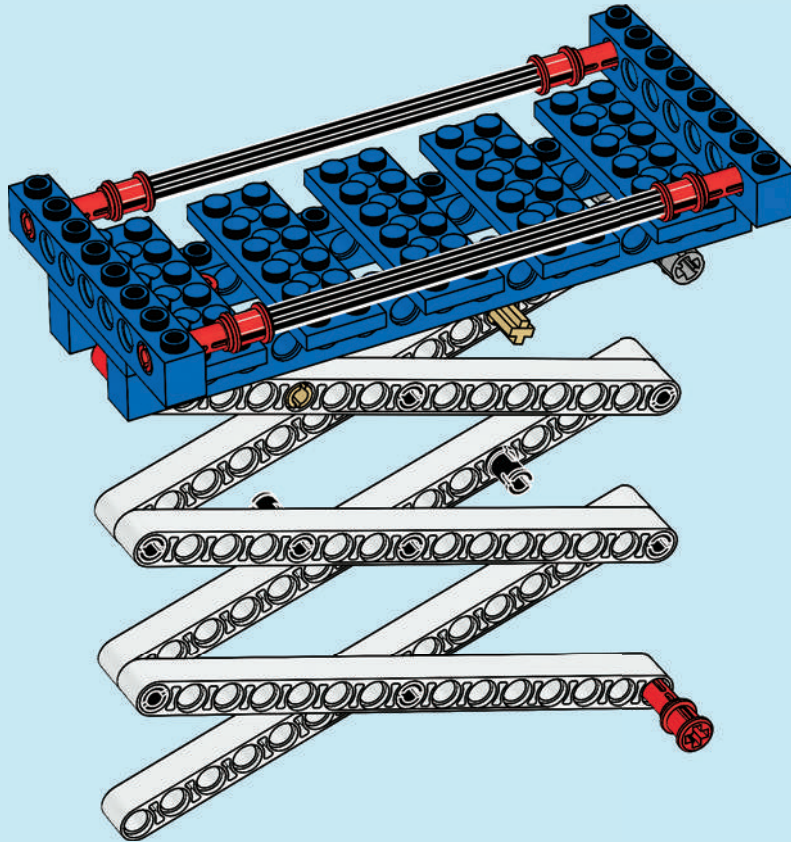


# 19



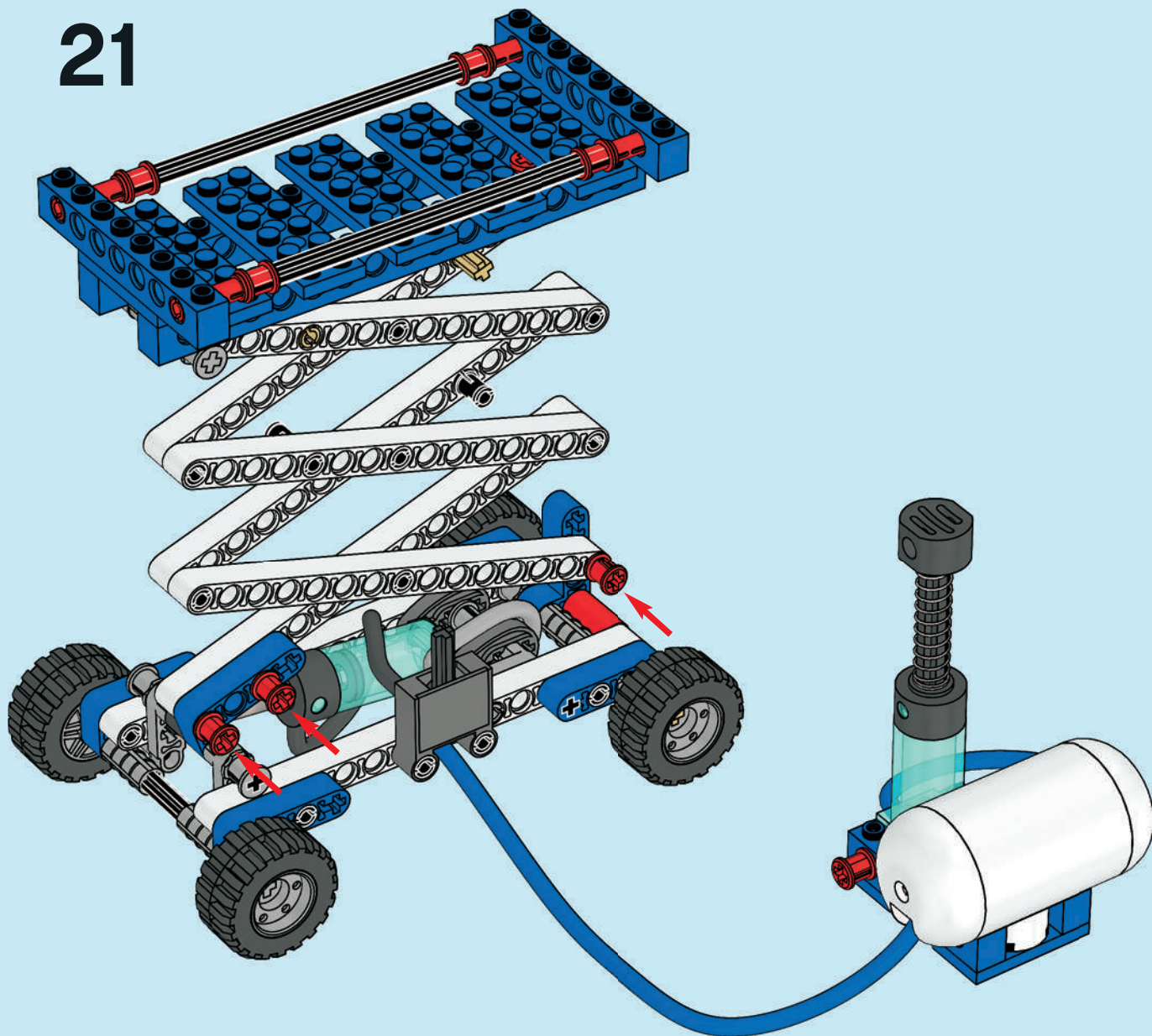


20

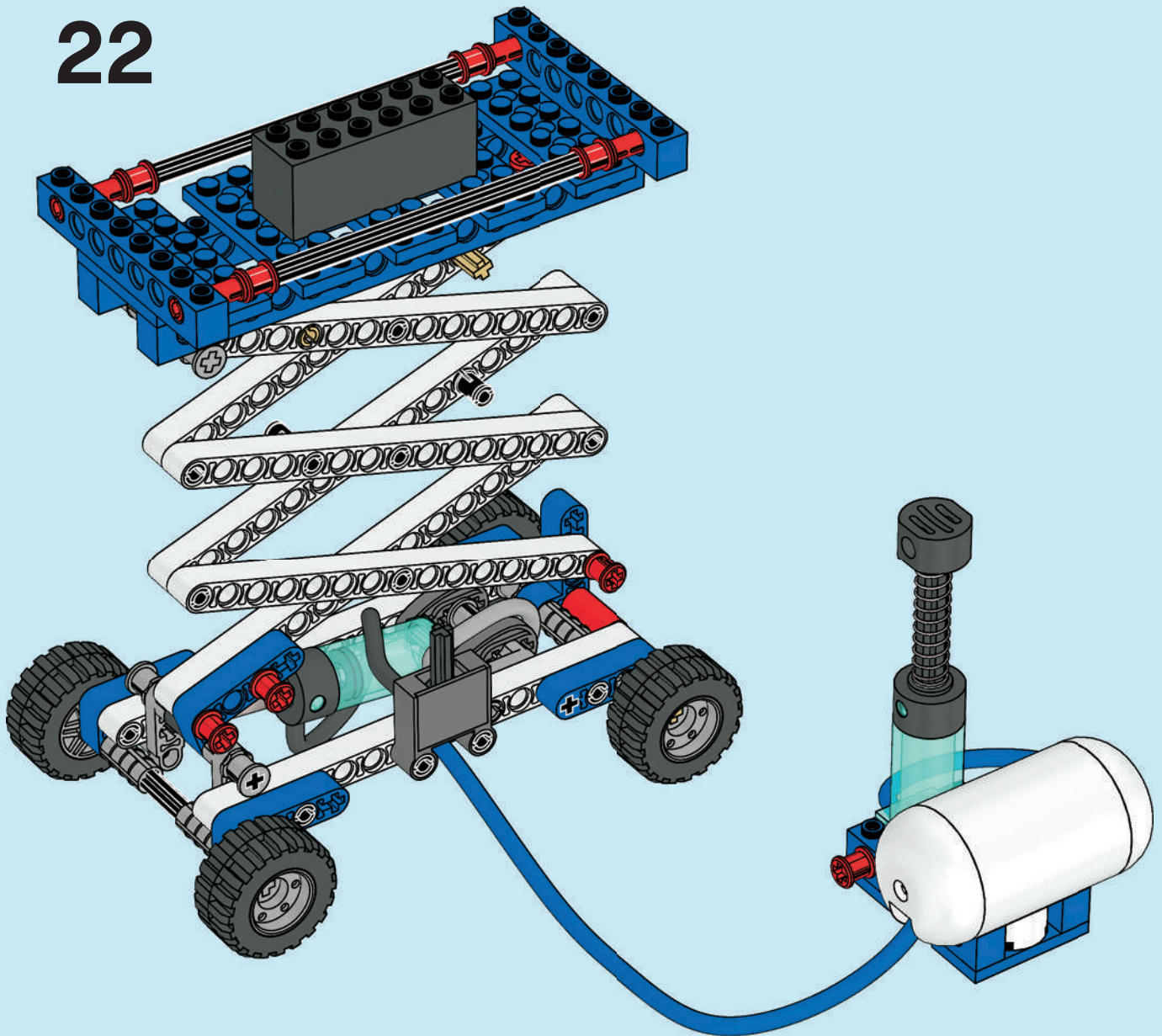


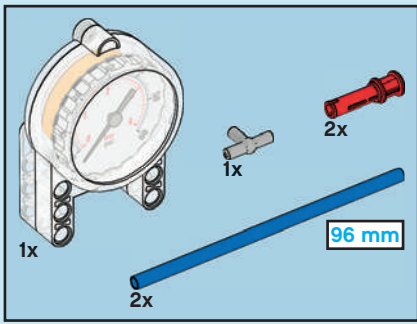


# 21

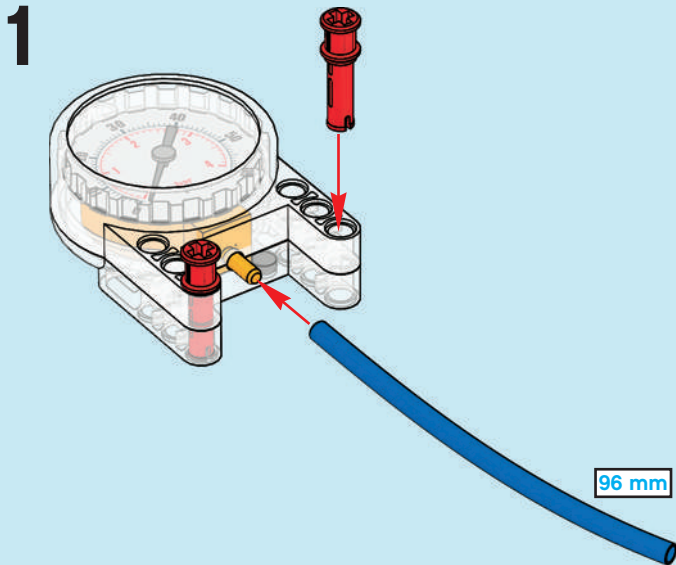


22

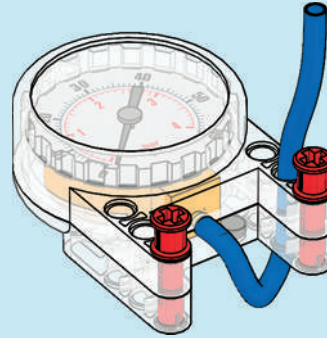




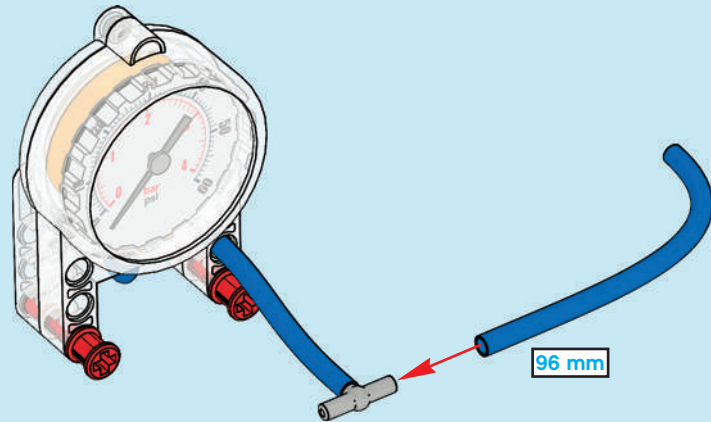
23



2



3





24

